

## CTD-CM4110T-12 40HP Motor



### Product Detail

Revision:	G	Status:	PRD/A	Change #:		Proprietary:	No
Type:	AC	Prod Type:	1246M	Elec. Spec:	12WGW947	CD Diagram:	CD0104
Enclosure	TEFC	Mfg Plant:		Mech Spec:	12S021	Layout:	12LYS021
Frame:	324TC	Mounting:	F1	Poles:	04	Created Date:	
Base:	RG	Rotation:	R	Insulation:	F	Eff. Date:	04-08-2008
Leads:	12#10	Literature:		Elec. Diagram:		Replaced By:	

### Nameplate NP1256

CAT.NO.	CM4110T-12D						
SPEC.	12S021W947H2						
HP	40						
VOLTS	230/460						
AMP	96/48						
RPM	1775						
FRAME	324TC	HZ	60	PH	3		
SER.F.	1.15	CODE	H	DES	B	CLASS	F
NEMA-NOM-EFF	93	PF	85				
RATING	40C AMB-CONT						
CC	010A	USABLE AT 208V					
DE	6312	ODE	6311				
ENCL	TEFC	SN					

### Nameplate NP1196

1-HZ	50	1-RPM	1470	1-HP	40 TE
1-VOLT	190/380	1-AMP	114/57	1-CODE	F
2-VOLT	200/400	2-AMP	110/55	2-CODE	G
3-VOLT	208/415	3-AMP	108/54	3-CODE	G
4-VOLT	220/440	4-AMP	108/54	4-CODE	H
2-HZ	60	2-RPM	1775	2-HP	40
5-VOLT	208-230/460	5-AMP	102-96/48	5-CODE	H
6-VOLT	200/400	6-AMP	106/53	6-CODE	E
7-VOLT	220/440	7-AMP	98/49	7-CODE	G
8-VOLT	-----	8-AMP	-----	8-CODE	-



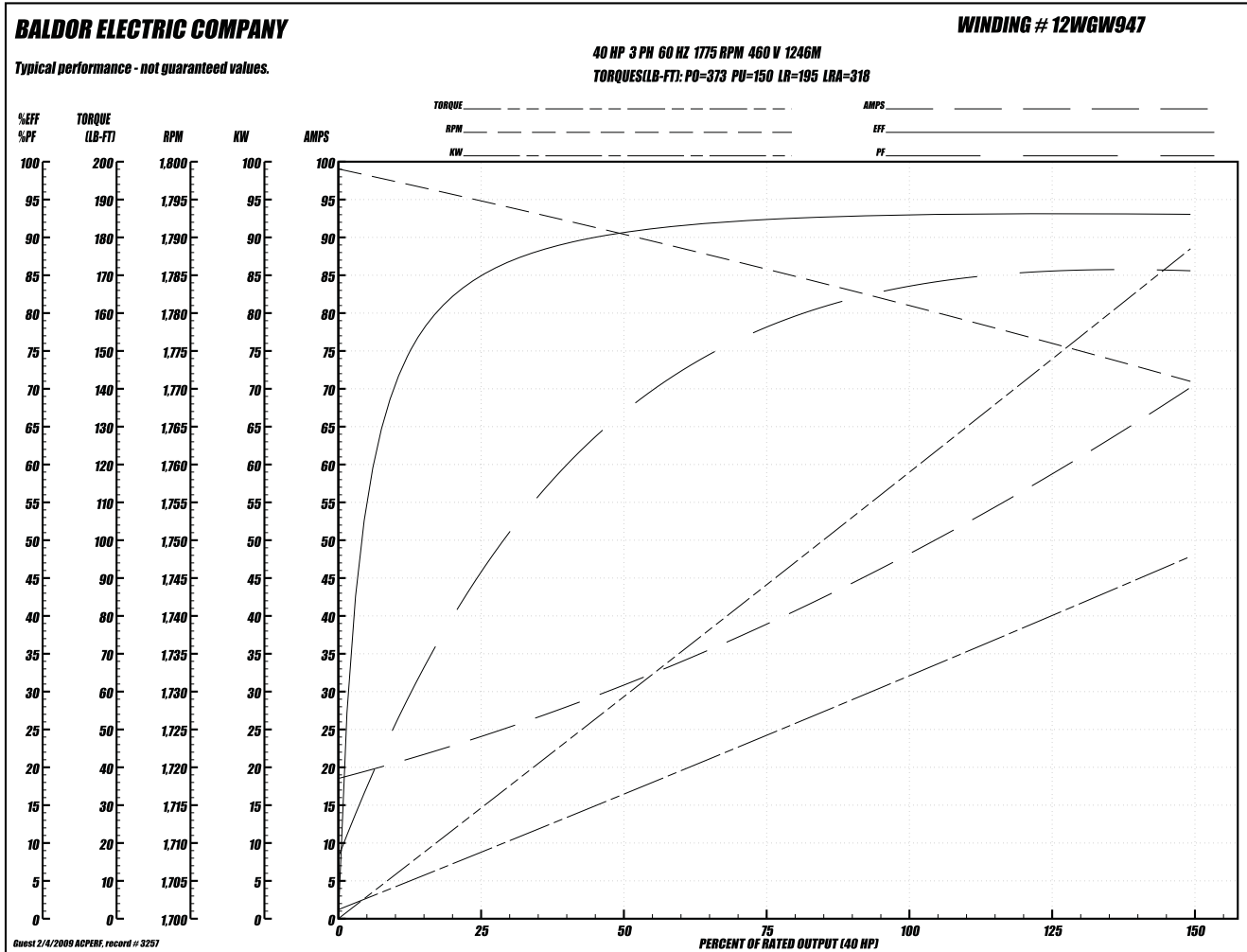
PROJECT NAME AND LOCATION:			
MODEL NO.:			
DWG NAME:			
DRAWING NUMBER:	JOB NUMBER:	SHEET	REV:
A-100		1 of 1	0
SCALE:	COMMENTS:		
NO SCALE			

THIS DRAWING IS THE SOLE PROPERTY OF COOLING TOWER DEPOT INC. USE SHALL BE LIMITED TO THE PROJECT FOR WHICH IT IS INTENDED, NO REPRODUCTION SHALL BE MADE NOR SHALL THIS INFORMATION BE MADE AVAILABLE TO THIRD PARTIES WITHOUT THE PRIOR WRITTEN CONSENT BY COOLING TOWER DEPOT INC. ANY AND ALL PROPRIETARY RIGHTS TO THIS INFORMATION AND DESIGN ARE THE SOLE PROPERTY OF COOLING TOWER DEPOT INC.					
REVISIONS					
REV.	DESCRIPTION	DESIGNED BY:	CHECKED BY:	APPROVED BY:	DATE:
0					
1					
2					
3					
4					

COOLING TOWER DEPOT, INC		JOB NUMBER:	SHEET	NO SCALE	SCALE:	1 of 1	A-100
CORPORATE CIRCLE							
GOLDEN, CO 80401							
720-746-1234							

## CTD-CM4110T-12 40HP Motor

Performance Graph at 460V, 60Hz, 40.0HP (Typical performance - Not guaranteed values)



### Performance Data at 460V, 60Hz, 40.0HP (Typical performance - Not guaranteed values)

#### General Characteristics

Full Load Torque:	118.0 LB-FT	Start Configuration:	DOL
No-Load Current:	18.5 Amps	Break-Down Torque:	373.0 LB-FT
Line-line Res. @ 25°C.:	0.153 Ohms A Ph / 0.0 Ohms B Ph	Pull-Up Torque:	150.0 LB-FT
Temp. Rise @ Rated Load:	64°C	Locked-Rotor Torque:	195.0 LB-FT
Temp. Rise @ S.F. Load:	73°C	Starting Current:	318.0 Amps

#### Load Characteristics

% of Rated Load:	25	50	75	100	125	150	S.F.
Power Factor:	46.0	68.0	78.0	84.0	85.0	86.0	85.0
Efficiency:	84.7	90.6	92.4	93.0	93.2	93.0	93.1
Speed:	1795.0	1790.0	1786.0	1781.0	1776.0	1771.0	1778.0
Line Amperes:	24.3	30.7	39.1	48.0	59.0	70.0	54.6



PROJECT NAME AND LOCATION: \_\_\_\_\_  
 MODEL NO.: \_\_\_\_\_  
 DWG NAME: \_\_\_\_\_  
 DRAWING NUMBER: A-100    JOB NUMBER: \_\_\_\_\_    SHEET 1 of 1    REV 0  
 SCALE: NO SCALE    COMMENTS: \_\_\_\_\_

THIS DRAWING IS THE SOLE PROPERTY OF COOLING TOWER DEPOT INC. USE SHALL BE LIMITED TO THE PROJECT FOR WHICH IT IS INTENDED. NO REPRODUCTION SHALL BE MADE NOR SHALL THIS INFORMATION BE MADE AVAILABLE TO THIRD PARTIES WITHOUT THE PRIOR WRITTEN CONSENT BY COOLING TOWER DEPOT INC. ANY AND ALL PROPRIETARY RIGHTS TO THIS INFORMATION AND DESIGN ARE THE SOLE PROPERTY OF COOLING TOWER DEPOT INC.

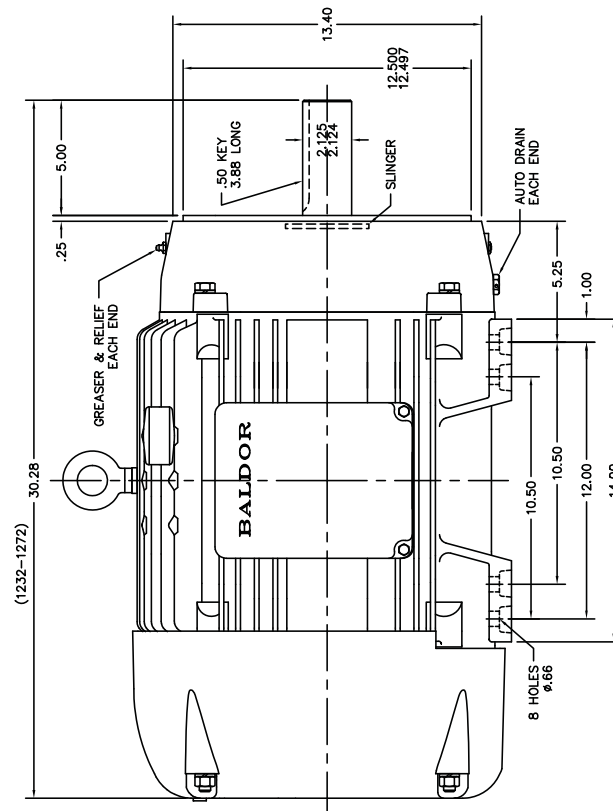
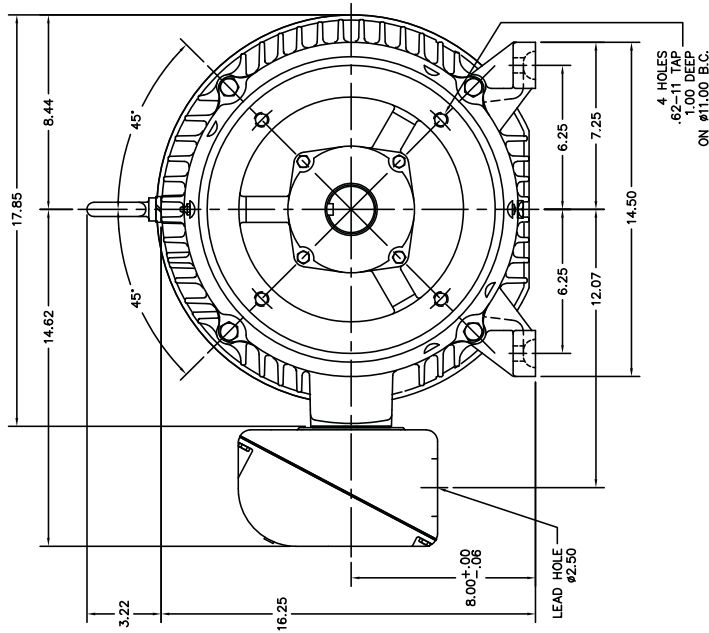
REV.	DESCRIPTION	DESIGNED BY:	CHECKED BY:	APPROVED BY:	DATE:
0					
1					
2					
3					
4					

**COOLING TOWER DEPOT, INC**  
**651 CORPORATE CIRCLE, STE. 206**  
**GOLDEN, CO 80401**  
**720-746-1234**

NO SCALE

REV: 0  
 SHEET 1 of 1  
 DRAWING NUMBER: A-100

## CTD-CM4110T 40HP Motor



PROJECT NAME AND LOCATION:			
MODEL NO.:			
DWG NAME:			
DRAWING NUMBER:	JOB NUMBER:	SHEET	REV:
A-100		1 of 1	0
SCALE: NO SCALE		COMMENTS:	

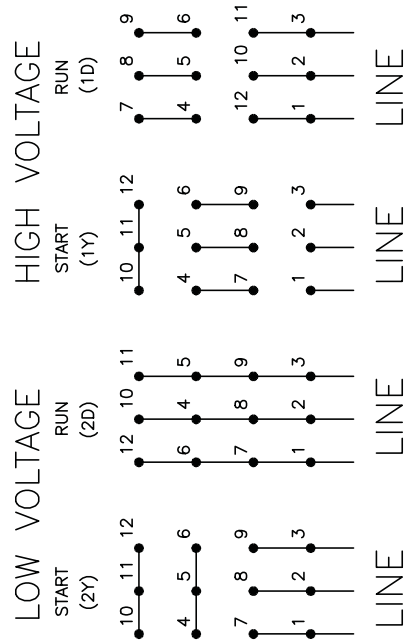
THIS DRAWING IS THE SOLE PROPERTY OF COOLING TOWER DEPOT INC. USE SHALL BE LIMITED TO THE PROJECT FOR WHICH IT IS INTENDED, NO REPRODUCTION SHALL BE MADE NOR SHALL THIS INFORMATION BE MADE AVAILABLE TO THIRD PARTIES WITHOUT THE PRIOR WRITTEN CONSENT BY COOLING TOWER DEPOT INC. ANY AND ALL PROPRIETARY RIGHTS TO THIS INFORMATION AND DESIGN ARE THE SOLE PROPERTY OF COOLING TOWER DEPOT INC.

REVISIONS			
REV.	DESCRIPTION	DESIGNED BY:	CHECKED BY:
0			
1			
2			
3			
4			

COOLING TOWER DEPOT, INC  
CORPORATE CIRCLE  
GOLDEN, CO 80401  
720-746-1234

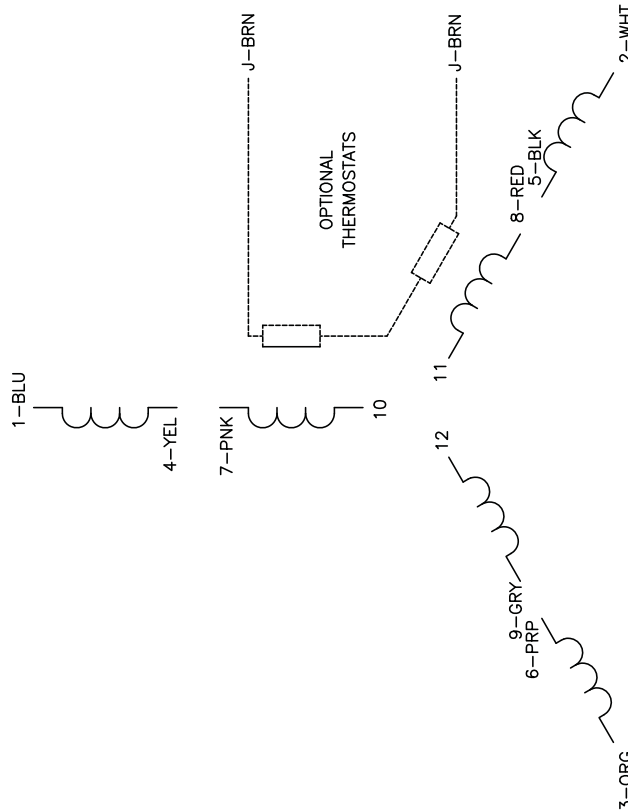
REV:	0	SHEET	1 of 1
JOB NUMBER:		SCALE:	NO SCALE
PROJECT NUMBER:			

## CTD-CM4110T-12 40HP Motor



**NOTES:**

1. INTERCHANGE ANY TWO LINE LEADS TO REVERSE ROTATION.
2. OPTIONAL THERMOSTATS ARE PROVIDED WHEN SPECIFIED.
3. ACTUAL NUMBER OF INTERNAL PARALLEL CIRCUITS MAY BE A MULTIPLE OF THOSE SHOWN ABOVE.
4. LEAD COLORS ARE OPTIONAL. LEADS MUST ALWAYS BE NUMBERED AS SHOWN.



PROJECT NAME AND LOCATION			
MODEL NO.			
DWG NAME			
DRAWING NUMBER	JOB NUMBER	SHEET	REV
A-100		1 of 1	0
SCALE: NO SCALE	COMMENTS		

THIS DRAWING IS THE SOLE PROPERTY OF COOLING TOWER DEPOT INC. USE SHALL BE LIMITED TO THE PROJECT FOR WHICH IT IS INTENDED. NO REPRODUCTION SHALL BE MADE NOR SHALL THIS INFORMATION BE MADE AVAILABLE TO THIRD PARTIES WITHOUT THE PRIOR WRITTEN CONSENT BY COOLING TOWER DEPOT INC. ANY AND ALL PROPRIETARY RIGHTS TO THIS INFORMATION AND DESIGN ARE THE SOLE PROPERTY OF COOLING TOWER DEPOT INC.					
REVISIONS					
REV	DESCRIPTION	DESIGNED BY	CHECKED BY	APPROVED BY	DATE
0					
1					
2					
3					
4					

COOLING TOWER DEPOT, INC	
651 CORPORATE CIRCLE, STE. 206	
GOLDEN, CO 80401	
720-746-1234	
DWG NUMBER	SCALE
A-100	NO SCALE
REV	SHEET
0	1 of 1