

## CTD-CM4314T 60HP Motor



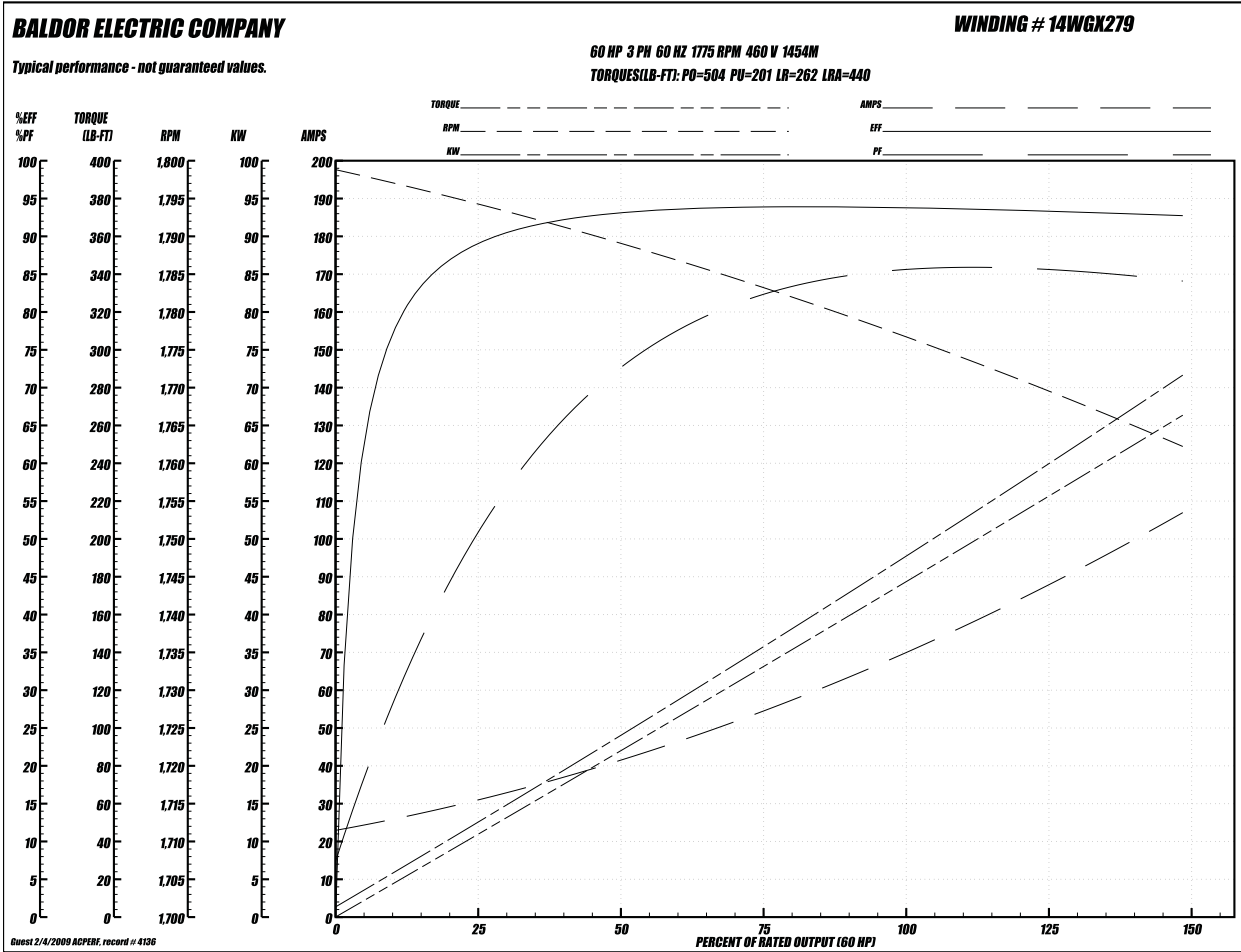
Product Detail							
Revision:	H	Status:	PRD/A	Change #:		Proprietary:	No
Type:	AC	Prod Type:	1454M	Elec. Spec:	14WGX279	CD Diagram:	CD0180
Enclosure	TEFC	Mfg Plant:		Mech Spec:	14C52	Layout:	14LYC052
Frame:	364TC	Mounting:	F1	Poles:	04	Created Date:	
Base:	RG	Rotation:	R	Insulation:	F	Eff. Date:	09-06-2007
Leads:	9#6	Literature:		Elec. Diagram:		Replaced By:	

Nameplate NP1256L							
CAT.NO.	CM4314T						
SPEC.	14C052X279H1						
HP	60						
VOLTS	230/460						
AMP	142/71						
RPM	1775						
FRAME	364TC	HZ	60	PH	3		
SER.F.	1.15	CODE	G	DES	B	CLASS	F
NEMA-NOM-EFF	93.6	PF	85				
RATING	40C AMB-CONT						
CC	010A	USABLE AT 208V	160				
DE	6313	ODE	6312				
ENCL	TEFC	SN					

	PROJECT NAME AND LOCATION:	THIS DRAWING IS THE SOLE PROPERTY OF COOLING TOWER DEPOT INC. USE SHALL BE LIMITED TO THE PROJECT FOR WHICH IT IS INTENDED, NO REPRODUCTION SHALL BE MADE NOR SHALL THIS INFORMATION BE MADE AVAILABLE TO THIRD PARTIES WITHOUT THE PRIOR WRITTEN CONSENT BY COOLING TOWER DEPOT INC. ANY AND ALL PROPRIETARY RIGHTS TO THIS INFORMATION AND DESIGN ARE THE SOLE PROPERTY OF COOLING TOWER DEPOT INC.				COOLING TOWER DEPOT, INC CORPORATE CIRCLE GOLDEN, CO 80401 720-746-1234	JOB NUMBER: 0 SCALE: NO SCALE SHEET: 1 of 1	REV: A-100		
	MODEL NO.:	REVISONS								
	DWG NAME:	REV.	DESCRIPTION	DESIGNED BY:	CHECKED BY:				APPROVED BY:	DATE:
	DRAWING NUMBER: A-100	JOB NUMBER:	1							
	SCALE: NO SCALE	COMMENTS:	2							
		3								
		4								

## CTD-CM4314T 60HP Motor

Performance Graph at 460V, 60Hz, 60.0HP (Typical performance - Not guaranteed values)



### Performance Data at 460V, 60Hz, 60.0HP (Typical performance - Not guaranteed values)

#### General Characteristics

Full Load Torque:	177.0 LB-FT	Start Configuration:	DOL
No-Load Current:	24.0 Amps	Break-Down Torque:	504.0 LB-FT
Line-line Res. @ 25°C.:	0.0892 Ohms A Ph / 0.0 Ohms B Ph	Pull-Up Torque:	201.0 LB-FT
Temp. Rise @ Rated Load:	64°C	Locked-Rotor Torque:	262.0 LB-FT
Temp. Rise @ S.F. Load:	85°C	Starting Current:	440.0 Amps

#### Load Characteristics

% of Rated Load:	25	50	75	100	125	150	S.F.
Power Factor:	53.0	73.0	82.0	86.0	86.0	85.0	85.0
Efficiency:	89.1	93.0	93.9	93.8	93.4	92.7	93.6
Speed:	1794.0	1789.0	1783.0	1777.0	1770.0	1762.0	1773.0
Line Amperes:	29.5	41.2	55.0	70.6	87.6	106.4	80.8



PROJECT NAME AND LOCATION:  
MODEL NO.:  
DWG NAME:  
DRAWING NUMBER: A-100  
JOB NUMBER:  
SHEET 1 of 1  
REV: 0  
SCALE: NO SCALE  
COMMENTS:

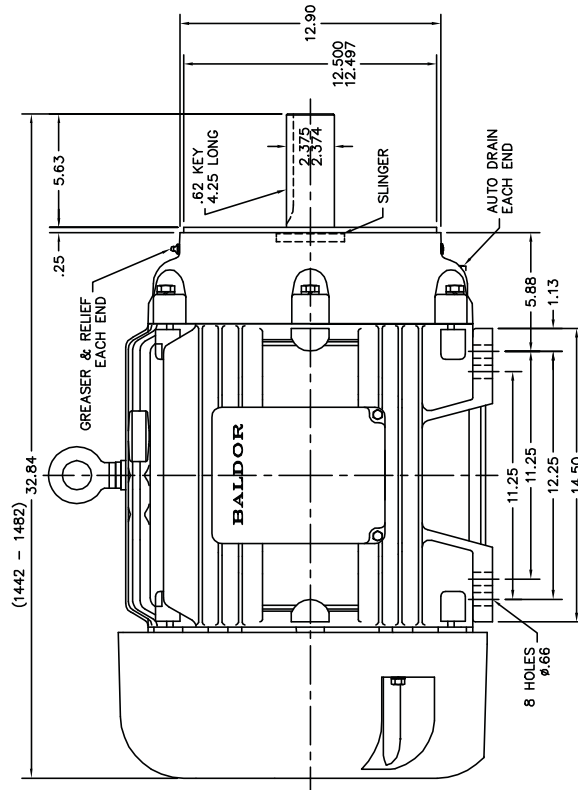
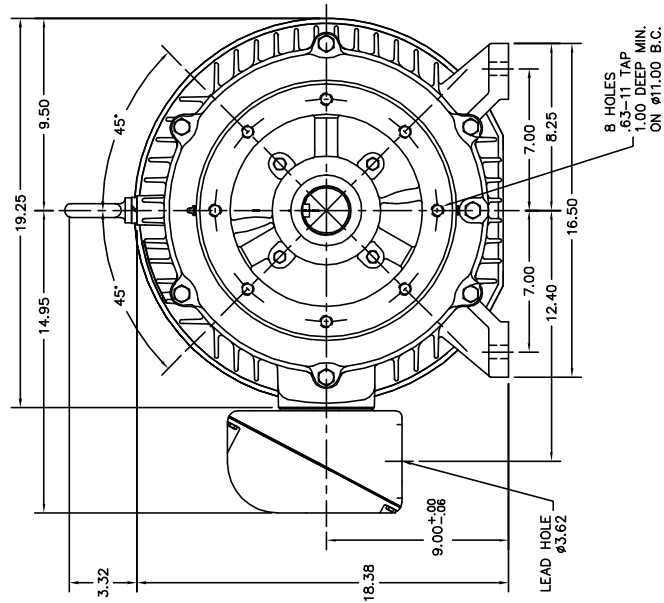
THIS DRAWING IS THE SOLE PROPERTY OF COOLING TOWER DEPOT INC. USE SHALL BE LIMITED TO THE PROJECT FOR WHICH IT IS INTENDED, NO REPRODUCTION SHALL BE MADE NOR SHALL THIS INFORMATION BE MADE AVAILABLE TO THIRD PARTIES WITHOUT THE PRIOR WRITTEN CONSENT BY COOLING TOWER DEPOT INC. ANY AND ALL PROPRIETARY RIGHTS TO THIS INFORMATION AND DESIGN ARE THE SOLE PROPERTY OF COOLING TOWER DEPOT INC.

REV.	DESCRIPTION	DESIGNED BY:	CHECKED BY:	APPROVED BY:	DATE:
0					
1					
2					
3					
4					

COOLING TOWER DEPOT, INC  
CORPORATE CIRCLE  
GOLDEN, CO 80401  
720-746-1234

JOB NUMBER:  
SCALE: NO SCALE  
REV: 0  
SHEET 1 of 1  
FORM NUMBER: A-100

## CTD-CM4314T 60HP Motor



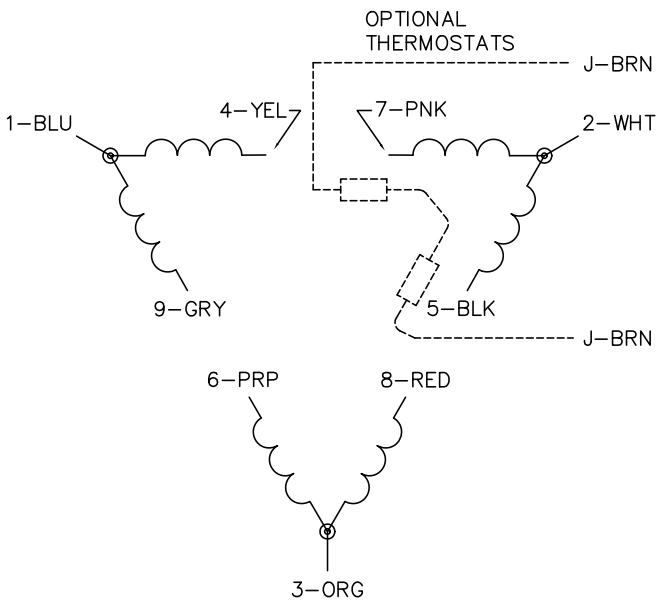
PROJECT NAME AND LOCATION:			
MODEL NO.:			
DWG NAME:			
DRAWING NUMBER:	JOB NUMBER:	SHEET	REV:
A-100		1 of 1	0
SCALE: NO SCALE		COMMENTS:	

THIS DRAWING IS THE SOLE PROPERTY OF COOLING TOWER DEPOT INC. USE SHALL BE LIMITED TO THE PROJECT FOR WHICH IT IS INTENDED, NO REPRODUCTION SHALL BE MADE NOR SHALL THIS INFORMATION BE MADE AVAILABLE TO THIRD PARTIES WITHOUT THE PRIOR WRITTEN CONSENT BY COOLING TOWER DEPOT INC. ANY AND ALL PROPRIETARY RIGHTS TO THIS INFORMATION AND DESIGN ARE THE SOLE PROPERTY OF COOLING TOWER DEPOT INC.

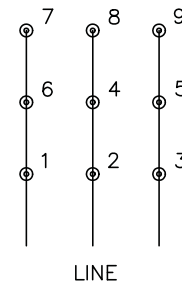
REVISIONS					
REV.	DESCRIPTION	DESIGNED BY:	CHECKED BY:	APPROVED BY:	DATE:
0					
1					
2					
3					
4					

COOLING TOWER DEPOT, INC  
CORPORATE CIRCLE  
GOLDEN, CO 80401  
720-746-1234

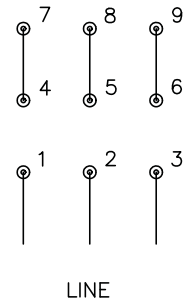
JOB NUMBER:	0
SCALE:	NO SCALE
SHEET	1 of 1
NO.	A-100



LOW VOLTAGE  
(2D)



HIGH VOLTAGE  
(1D)



NOTES:

1. INTERCHANGE ANY TWO LINE LEADS TO REVERSE ROTATION.
2. OPTIONAL THERMOSTATS ARE PROVIDED WHEN SPECIFIED.
3. ACTUAL NUMBER OF INTERNAL PARALLEL CIRCUITS MAY BE A MULTIPLE OF THOSE SHOWN ABOVE.
4. LEAD COLORS ARE OPTIONAL. LEADS MUST ALWAYS BE NUMBERED AS SHOWN.

	PROJECT NAME AND LOCATION:	THIS DRAWING IS THE SOLE PROPERTY OF COOLING TOWER DEPOT INC. USE SHALL BE LIMITED TO THE PROJECT FOR WHICH IT IS INTENDED, NO REPRODUCTION SHALL BE MADE NOR SHALL THIS INFORMATION BE MADE AVAILABLE TO THIRD PARTIES WITHOUT THE PRIOR WRITTEN CONSENT BY COOLING TOWER DEPOT INC. ANY AND ALL PROPRIETARY RIGHTS TO THIS INFORMATION AND DESIGN ARE THE SOLE PROPERTY OF COOLING TOWER DEPOT INC.				COOLING TOWER DEPOT, INC CORPORATE CIRCLE GOLDEN, CO 80401 720-746-1234	JOB NUMBER: 0 SCALE: NO SCALE	REV. NUMBER: 1 of 1 SHEET: 1 of 1	PART NUMBER: A-100		
	MODEL NO.:	REVISIONS									
	DWG NAME:	REV.	DESCRIPTION	DESIGNED BY:	CHECKED BY:					APPROVED BY:	DATE:
	DRAWING NUMBER: A-100	JOB NUMBER:	SHEET 1 of 1	REV: 0							
SCALE: NO SCALE	COMMENTS:										