

3" X 1/4" FRP Square Tube

ALLOWABLE UNIFORM LOADS (lbs./ft. / *N/m.*) Laterally Supported

$A_w = 1.25 \text{ in.}^2 / 806\text{mm.}^2$
 $I = 3.50 \text{ in.}^4 / 1456810\text{mm.}^4$

Wt. = 2.07 lbs./ft. / 3.08 kg/m.
S = 2.33 in.³ / 38182mm.³

SPAN FT/m	MAXIMUM LOAD		DEFLECTION				
			L/100	L/150	L/180	L/240	L/360
4/1.22	935/13645	F _v	710/10362	472/6888	393/5735	294/4291	195/2846
5/1.52	618/9019	F _b	380/5546	252/3678	210/3065	156/2277	103/1503
6/1.83	428/6246	F _b	224/3269	149/2175	123/1795	92/1343	60/876
7/2.13	314/4583	F _b	142/2072	94/1372	78/1138	58/846	37/540
8/2.44	240/3503	F _b	96/1401	63/919	52/759	38/555	24/350
9/2.74	189/2758	F _b	67/978	43/628	36/525	26/379	16/234
10/3.05	152/2218	F _b	48/701	31/452	25/365	18/263	11/161
11/3.35	125/1824	F _b	36/525	23/336	18/263	13/190	8/117
12/3.66	105/1532	F _b	27/394	17/248	14/204	9/131	5/73

The part weight has been deducted in the above table.

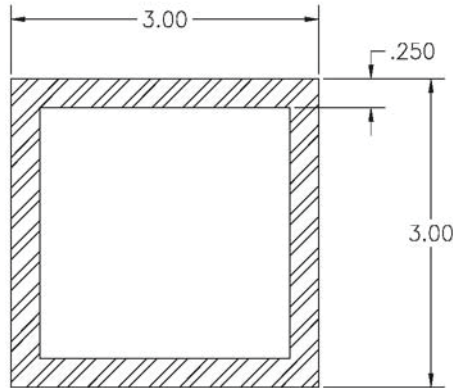
English/ *Metric*

This item is stocked in 20-foot lengths.

Other lengths available in mill run quantities.

The mill run on this item is 800 feet.

Orders for less than mill run quantities will be subject to set-up charges as well as premium per foot cost.



	PROJECT NAME AND LOCATION:	THIS DRAWING IS THE SOLE PROPERTY OF COOLING TOWER DEPOT INC. USE SHALL BE LIMITED TO THE PROJECT FOR WHICH IT IS INTENDED. NO REPRODUCTION SHALL BE MADE NOR SHALL THIS INFORMATION BE MADE AVAILABLE TO THIRD PARTIES WITHOUT THE PRIOR WRITTEN CONSENT BY COOLING TOWER DEPOT INC. ANY AND ALL PROPRIETARY RIGHTS TO THIS INFORMATION AND DESIGN ARE THE SOLE PROPERTY OF COOLING TOWER DEPOT INC.				COOLING TOWER DEPOT, INC CORPORATE CIRCLE GOLDEN, CO 80401 720-746-1234	JOB NUMBER: 0 SCALE: NO SCALE	SHEET: 1 of 1 NO SCALE	DRAWING NUMBER: A-100		
	MODEL NO.:	REVISIONS									
	DWG NAME:	REV.	DESCRIPTION	DESIGNED BY:	CHECKED BY:					APPROVED BY:	DATE:
	DRAWING NUMBER: A-100	JOB NUMBER:	SHEET: 1 of 1	REV: 0							
SCALE: NO SCALE	COMMENTS:										