

4" X 1/4" FRP Square Tube

ALLOWABLE UNIFORM LOADS (lbs./ft. / N/m.) Laterally Supported

$A_w = 1.75 \text{ in.}^2 / 1129 \text{ mm}^2$
 $I = 8.82 \text{ in.}^4 / 3671161 \text{ mm}^4$

$Wt. = 2.83 \text{ lbs./ft.} / 4.21 \text{ kg/m.}$
 $S = 4.41 \text{ in.}^3 / 72267 \text{ mm}^3$

SPAN FT/m	MAXIMUM LOAD		DEFLECTION				
			L/100	L/150	L/180	L/240	L/360
4/1.22	1310/19113	F _v	----/----	1085/15833	904/13187	677/9880	450/6573
5/1.52	888/12963	F _b	----/----	599/8741	499/7278	373/5448	248/3618
6/1.83	616/8990	F _b	543/7932	361/5274	301/4388	225/3281	149/2173
7/2.13	452/6594	F _b	351/5122	233/3401	194/2827	145/2110	95/1393
8/2.44	345/5039	F _b	239/3483	158/2308	131/1917	98/1427	64/938
9/2.74	272/3972	F _b	169/2466	112/1630	93/1352	69/1003	45/655
10/3.05	220/3210	F _b	124/1804	81/1189	67/984	50/727	32/471
11/3.35	181/2646	F _b	93/1355	61/889	50/734	37/540	24/346
12/3.66	152/2216	F _b	71/1040	47/679	38/559	28/409	18/259
13/3.96	129/1882	F _b	56/812	36/528	30/433	22/314	13/196
14/4.27	111/1617	F _b	44/645	29/416	23/340	17/244	10/149
15/4.57	96/1404	F _b	35/518	23/331	18/269	13/192	8/114

The part weight has been deducted in the above table.

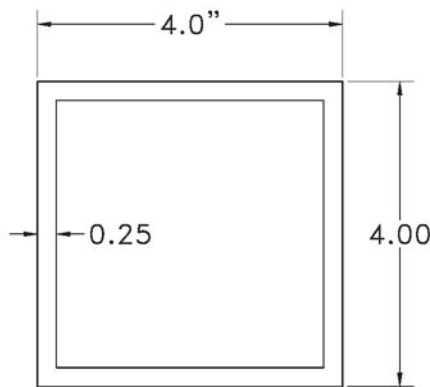
English/Metric

This item is stocked in 20-foot lengths.

Other lengths available in mill run quantities.

The mill run on this item is 700 feet.

Orders for less than mill run quantities will be subject to set-up charges as well as premium per foot cost.



	PROJECT NAME AND LOCATION:	THIS DRAWING IS THE SOLE PROPERTY OF COOLING TOWER DEPOT INC. USE SHALL BE LIMITED TO THE PROJECT FOR WHICH IT IS INTENDED, NO REPRODUCTION SHALL BE MADE NOR SHALL THIS INFORMATION BE MADE AVAILABLE TO THIRD PARTIES WITHOUT THE PRIOR WRITTEN CONSENT BY COOLING TOWER DEPOT INC. ANY AND ALL PROPRIETARY RIGHTS TO THIS INFORMATION AND DESIGN ARE THE SOLE PROPERTY OF COOLING TOWER DEPOT INC.				COOLING TOWER DEPOT, INC CORPORATE CIRCLE GOLDEN, CO 80401 720-746-1234	JOB NUMBER: SCALE: NO SCALE	REV: 0 SHEET: 1 of 1 SCALE: 1" = 1' NO SCALE	DRAWING NUMBER: A-100 JOB NUMBER: SHEET: 1 of 1 REV: 0		
	DWG NAME:	REV.	DESCRIPTION	DESIGNED BY:	CHECKED BY:					APPROVED BY:	DATE:
	SCALE: NO SCALE	0	1								
	COMMENTS:	2									