

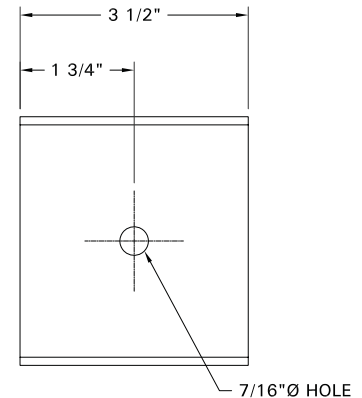
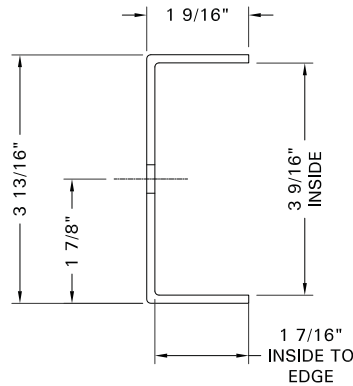
S.S. Joint Connector HC-1



Cooling Tower Depot, Inc. offers a wide variety of Stainless Steel joint connectors. Our straps are available in both 304 and 316 grade stainless steel and offered in both three and five hole configurations.

These straps come with any combination of 9/16" and 13/16" configurations and are available with custom hole placements.

Contact one of our knowledgeable customer service representatives to order one of our in stock configurations or to place an order for a customized strap.



HC-1
HAND RAIL "C" BRACKET
1/8" BENT STAINLESS
STEEL PLATE

	PROJECT NAME AND LOCATION:	THIS DRAWING IS THE SOLE PROPERTY OF COOLING TOWER DEPOT INC. USE SHALL BE LIMITED TO THE PROJECT FOR WHICH IT IS INTENDED, NO REPRODUCTION SHALL BE MADE NOR SHALL THIS INFORMATION BE MADE AVAILABLE TO THIRD PARTIES WITHOUT THE PRIOR WRITTEN CONSENT BY COOLING TOWER DEPOT INC. ANY AND ALL PROPRIETARY RIGHTS TO THIS INFORMATION AND DESIGN ARE THE SOLE PROPERTY OF COOLING TOWER DEPOT INC.				COOLING TOWER DEPOT, INC CORPORATE CIRCLE GOLDEN, CO 80401 720-746-1234	JOB NUMBER: 0 SCALE: NO SCALE	SHEET: 1 of 1 DATE: 	DRAWING NUMBER: A-100	JOB NUMBER: 	SHEET: 1 of 1	REV: 0	PROJECT NUMBER: A-100																													
	MODEL NO.:	<table border="1"> <thead> <tr> <th colspan="5">REVISIONS</th> </tr> <tr> <th>REV.</th> <th>DESCRIPTION</th> <th>DESIGNED BY:</th> <th>CHECKED BY:</th> <th>APPROVED BY:</th> <th>DATE:</th> </tr> </thead> <tbody> <tr><td>0</td><td></td><td></td><td></td><td></td><td></td></tr> <tr><td>1</td><td></td><td></td><td></td><td></td><td></td></tr> <tr><td>2</td><td></td><td></td><td></td><td></td><td></td></tr> <tr><td>3</td><td></td><td></td><td></td><td></td><td></td></tr> <tr><td>4</td><td></td><td></td><td></td><td></td><td></td></tr> </tbody> </table>	REVISIONS											REV.	DESCRIPTION	DESIGNED BY:	CHECKED BY:	APPROVED BY:	DATE:	0						1						2						3				
REVISIONS																																										
REV.	DESCRIPTION	DESIGNED BY:	CHECKED BY:	APPROVED BY:	DATE:																																					
0																																										
1																																										
2																																										
3																																										
4																																										
DWG NAME:	SCALE: NO SCALE	COMMENTS:																																								