

CTD-M4408T-4 250HP Motor



Product Detail

Revision:	G	Status:	PRD/A	Change #:		Proprietary:	No
Type:	AC	Prod Type:	18136M	Elec. Spec:	18WGX589	CD Diagram:	CD0382
Enclosure	TEFC	Mfg Plant:		Mech Spec:	18S052	Layout:	18LYS052
Frame:	447T	Mounting:	F1	Poles:	04	Created Date:	
Base:	RG	Rotation:	R	Insulation:	F	Eff. Date:	07-23-2008
Leads:	6#2	Literature:		Elec. Diagram:		Replaced By:	

Nameplate NP0944

STK.NO.	M4408T-4	PT NO		ENCL	TEFC		
SPEC.	18S052X589G1	CC		FRAME	447T	SER.	
HP	250	CL	F				
RPM	1785	PH	3				
VOLTS	460	DES	B	ODE	6314	DE	6319
AMPS	282	CODE	H				
HZ	60	RTG	40C AMB-CONT	GREASE	POLYREX EM		
EFF	95	PF	87	SER.F.	1.15		
		WEIGHT					
BLANK							
HTR-V		HTR-A					



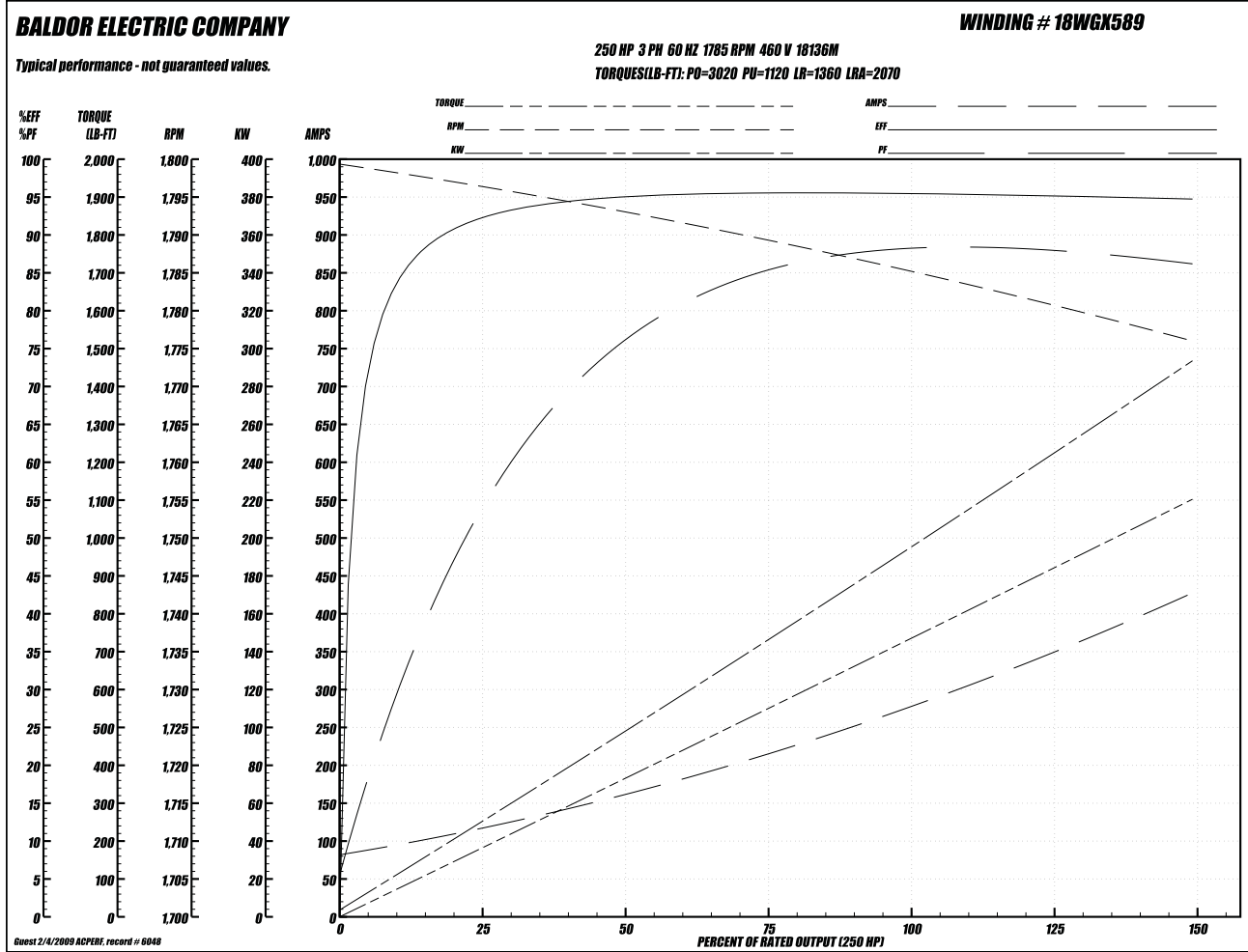
PROJECT NAME AND LOCATION:			
MODEL NO.:			
DWG NAME:			
DRAWING NUMBER:	JOB NUMBER:	SHEET	REV:
A-100		1 of 1	0
SCALE:	COMMENTS:		
NO SCALE			

THIS DRAWING IS THE SOLE PROPERTY OF COOLING TOWER DEPOT INC. USE SHALL BE LIMITED TO THE PROJECT FOR WHICH IT IS INTENDED, NO REPRODUCTION SHALL BE MADE NOR SHALL THIS INFORMATION BE MADE AVAILABLE TO THIRD PARTIES WITHOUT THE PRIOR WRITTEN CONSENT BY COOLING TOWER DEPOT INC. ANY AND ALL PROPRIETARY RIGHTS TO THIS INFORMATION AND DESIGN ARE THE SOLE PROPERTY OF COOLING TOWER DEPOT INC.				
REVISIONS				
REV.	DESCRIPTION	DESIGNED BY:	CHECKED BY:	APPROVED BY:
0				
1				
2				
3				
4				

COOLING TOWER DEPOT, INC		JOB NUMBER:	NO SCALE	JOB NUMBER:	NO SCALE
CORPORATE CIRCLE					
GOLDEN, CO 80401		JOB NUMBER:	NO SCALE	JOB NUMBER:	NO SCALE
720-746-1234					

CTD-M4408T-4 250HP Motor

Performance Graph at 460V, 60Hz, 250.0HP (Typical performance - Not guaranteed values)



Performance Data at 460V, 60Hz, 250.0HP (Typical performance - Not guaranteed values)

General Characteristics							
Full Load Torque:	735.0 LB-FT			Start Configuration:	DOL		
No-Load Current:	87.8 Amps			Break-Down Torque:	3020.0 LB-FT		
Line-line Res. @ 25°C.:	0.0118 Ohms A Ph / 0.0 Ohms B Ph			Pull-Up Torque:	1120.0 LB-FT		
Temp. Rise @ Rated Load:	79°C			Locked-Rotor Torque:	1360.0 LB-FT		
Temp. Rise @ S.F. Load:	105°C			Starting Current:	2070.0 Amps		
Load Characteristics							
% of Rated Load:	25	50	75	100	125	150	S.F.
Power Factor:	58.0	78.0	84.0	87.0	88.0	87.0	87.0
Efficiency:	92.1	94.9	95.6	95.5	95.2	94.7	95.3
Speed:	1797.0	1793.0	1789.0	1785.0	1781.0	1776.0	1783.0
Line Amperes:	109.2	158.9	218.1	281.7	350.5	424.2	323.0

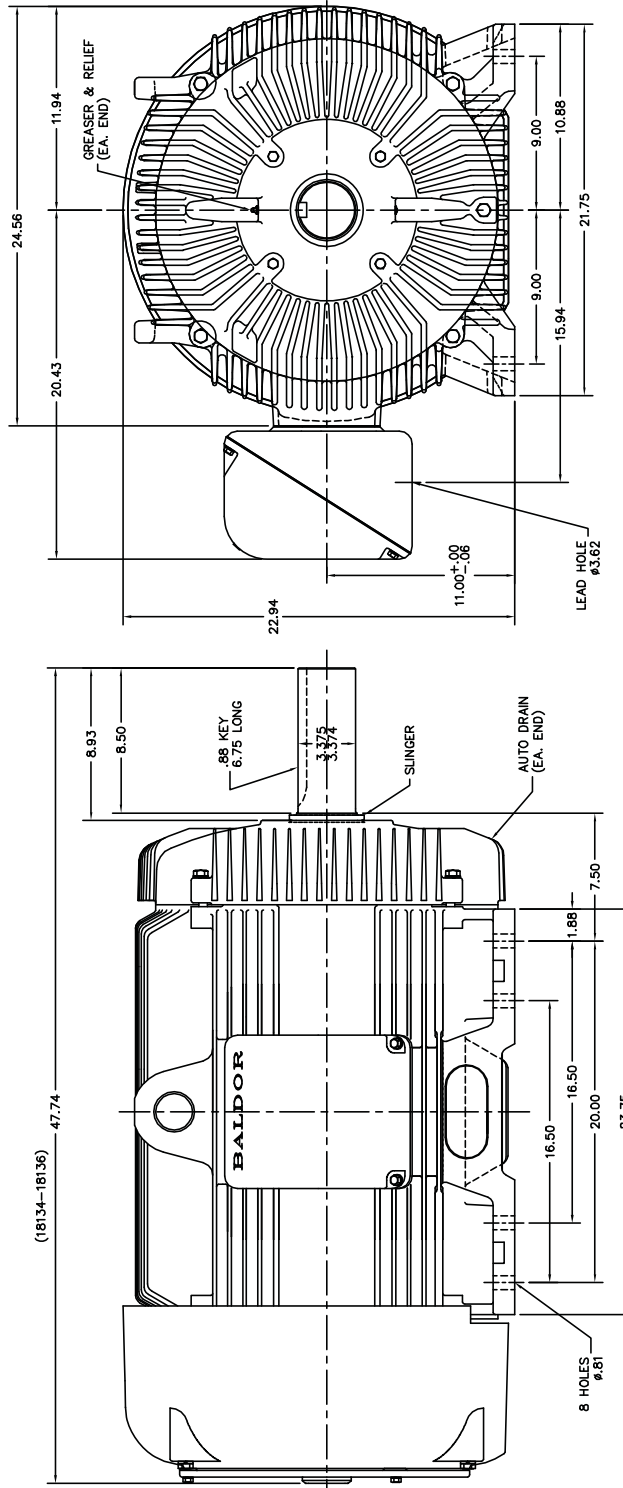


PROJECT NAME AND LOCATION:			
MODEL NO.:			
DWG NAME:			
DRAWING NUMBER:	JOB NUMBER:	SHEET	REV:
A-100		1 of 1	0
SCALE:	COMMENTS:		
NO SCALE			

THIS DRAWING IS THE SOLE PROPERTY OF COOLING TOWER DEPOT INC. USE SHALL BE LIMITED TO THE PROJECT FOR WHICH IT IS INTENDED. NO REPRODUCTION SHALL BE MADE NOR SHALL THIS INFORMATION BE MADE AVAILABLE TO THIRD PARTIES WITHOUT THE PRIOR WRITTEN CONSENT BY COOLING TOWER DEPOT INC. ANY AND ALL PROPRIETARY RIGHTS TO THIS INFORMATION AND DESIGN ARE THE SOLE PROPERTY OF COOLING TOWER DEPOT INC.			
REVISIONS			
REV.	DESCRIPTION	DESIGNED BY:	CHECKED BY:
0			
1			
2			
3			
4			

COOLING TOWER DEPOT, INC		JOB NUMBER:	0
CORPORATE CIRCLE		SCALE:	NO SCALE
GOLDEN, CO 80401		NO. OF SHEETS:	1 of 1
720-746-1234		PROJECT NUMBER:	A-100

CTD-M4408T-4 250HP Motor



PROJECT NAME AND LOCATION:			
MODEL NO.:			
DWG NAME:			
DRAWING NUMBER:	JOB NUMBER:	SHEET	REV:
A-100		1 of 1	0
SCALE:	COMMENTS:		
NO SCALE			

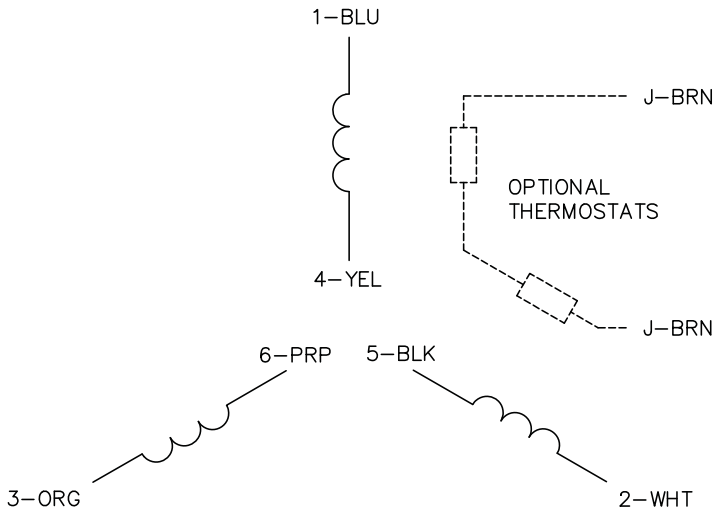
THIS DRAWING IS THE SOLE PROPERTY OF COOLING TOWER DEPOT INC. USE SHALL BE LIMITED TO THE PROJECT FOR WHICH IT IS INTENDED, NO REPRODUCTION SHALL BE MADE NOR SHALL THIS INFORMATION BE MADE AVAILABLE TO THIRD PARTIES WITHOUT THE PRIOR WRITTEN CONSENT BY COOLING TOWER DEPOT INC. ANY AND ALL PROPRIETARY RIGHTS TO THIS INFORMATION AND DESIGN ARE THE SOLE PROPERTY OF COOLING TOWER DEPOT INC.

REVISIONS					
REV.	DESCRIPTION	DESIGNED BY:	CHECKED BY:	APPROVED BY:	DATE:
0					
1					
2					
3					
4					

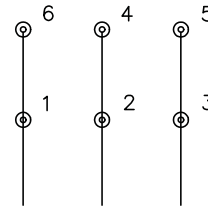
COOLING TOWER DEPOT, INC
CORPORATE CIRCLE
GOLDEN, CO 80401
720-746-1234

PROJ. NO.	0
SHEET	1 of 1
SCALE	NO SCALE
JOB NUMBER	
REV.	A-100

CTD-M4408T-4 250HP Motor

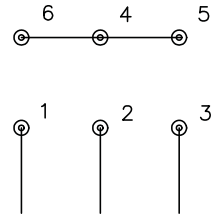


RUN CONNECTION
(1D)



LINE

START CONNECTION
(1Y)



LINE

NOTES:

1. INTERCHANGE ANY TWO LINE LEADS TO REVERSE ROTATION.
2. OPTIONAL THERMOSTATS ARE PROVIDED WHEN SPECIFIED.
3. ACTUAL NUMBER OF INTERNAL PARALLEL CIRCUITS MAY BE A MULTIPLE OF THOSE SHOWN ABOVE.
4. LEAD COLORS ARE OPTIONAL. LEADS MUST ALWAYS BE NUMBERED AS SHOWN.
5. FOR ACROSS-THE-LINE STARTING, USE 'RUN' CONNECTION.

	PROJECT NAME AND LOCATION:	THIS DRAWING IS THE SOLE PROPERTY OF COOLING TOWER DEPOT INC. USE SHALL BE LIMITED TO THE PROJECT FOR WHICH IT IS INTENDED, NO REPRODUCTION SHALL BE MADE NOR SHALL THIS INFORMATION BE MADE AVAILABLE TO THIRD PARTIES WITHOUT THE PRIOR WRITTEN CONSENT BY COOLING TOWER DEPOT INC. ANY AND ALL PROPRIETARY RIGHTS TO THIS INFORMATION AND DESIGN ARE THE SOLE PROPERTY OF COOLING TOWER DEPOT INC.				COOLING TOWER DEPOT, INC CORPORATE CIRCLE GOLDEN, CO 80401 720-746-1234	JOB NUMBER: 0 SCALE: NO SCALE	SHEET: 1 of 1 NO SCALE	REV. NO: 0 A-100		
	MODEL NO.:	REVISIONS									
	DWG NAME:	REV.	DESCRIPTION	DESIGNED BY:	CHECKED BY:					APPROVED BY:	DATE:
	DRAWING NUMBER: A-100	JOB NUMBER:	SHEET: 1 of 1	REV: 0							
SCALE: NO SCALE	COMMENTS:										