

## CTD-M4410T-4 125HP Motor



### Product Detail

Revision:	G	Status:	PRD/A	Change #:		Proprietary:	No
Type:	AC	Prod Type:	1868M	Elec. Spec:	18WGX504	CD Diagram:	CD0382
Enclosure	TEFC	Mfg Plant:		Mech Spec:	18J037	Layout:	18LYJ037
Frame:	444T	Mounting:	F1	Poles:	04	Created Date:	
Base:	RG	Rotation:	R	Insulation:	F	Eff. Date:	11-26-2007
Leads:	6#6	Literature:		Elec. Diagram:		Replaced By:	

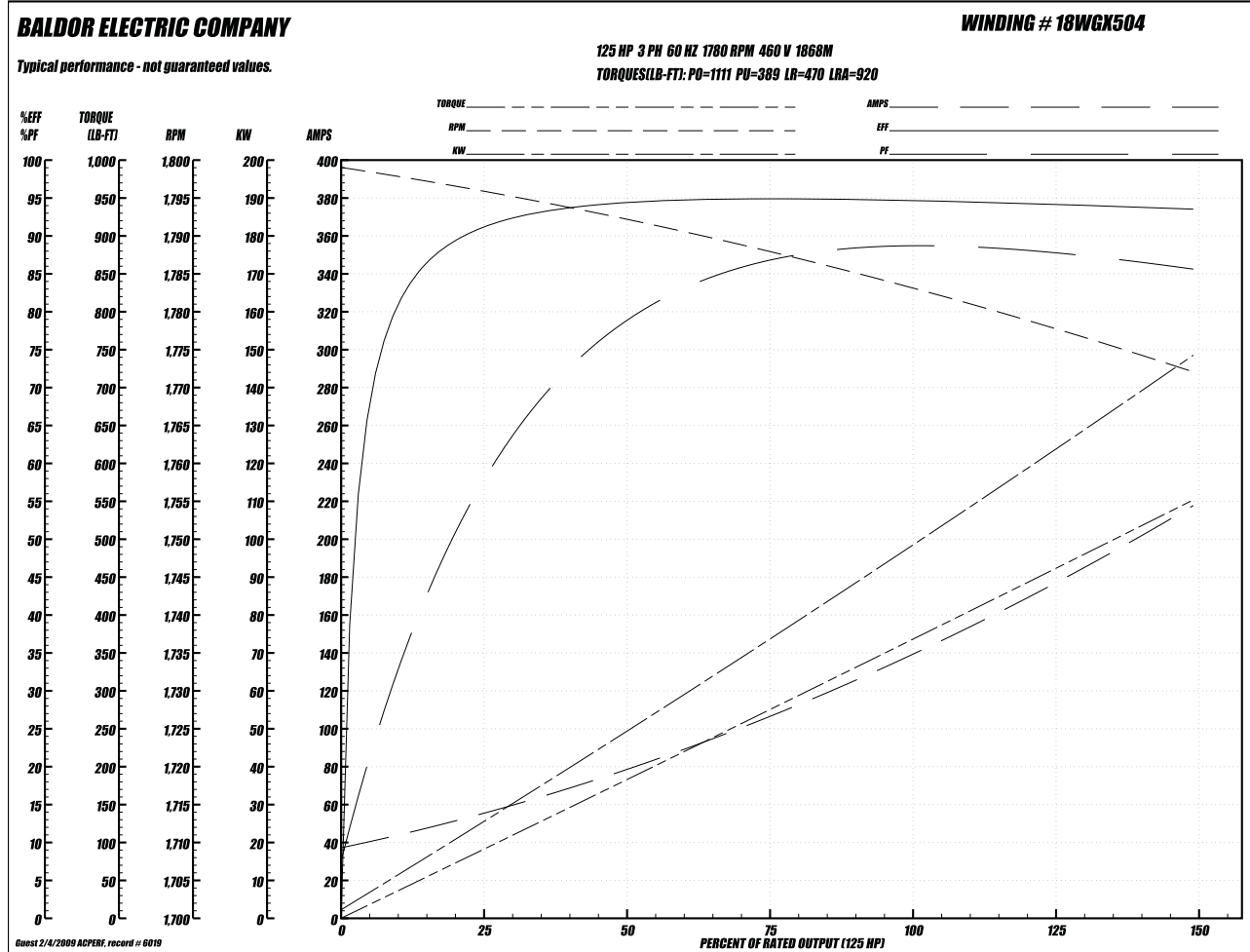
### Nameplate NP0944

STK.NO.	M4410T-4	PT NO		ENCL	TEFC		
SPEC.	18J037X504H2	CC	010A	FRAME	444T	SER.	
HP	125	CL	F				
RPM	1780	PH	3				
VOLTS	460	DES	B	ODE	6314	DE	6319
AMPS	141	CODE	G				
HZ	60	RTG	40C AMB-CONT	GREASE	POLYREX EM		
EFF	94.5	PF	88	SER.F.	1.15		
		WEIGHT					
BLANK							
HTR-V		HTR-A					

	PROJECT NAME AND LOCATION:	THIS DRAWING IS THE SOLE PROPERTY OF COOLING TOWER DEPOT INC. USE SHALL BE LIMITED TO THE PROJECT FOR WHICH IT IS INTENDED. NO REPRODUCTION SHALL BE MADE NOR SHALL THIS INFORMATION BE MADE AVAILABLE TO THIRD PARTIES WITHOUT THE PRIOR WRITTEN CONSENT BY COOLING TOWER DEPOT INC. ANY AND ALL PROPRIETARY RIGHTS TO THIS INFORMATION AND DESIGN ARE THE SOLE PROPERTY OF COOLING TOWER DEPOT INC.				COOLING TOWER DEPOT, INC CORPORATE CIRCLE GOLDEN, CO 80401 720-746-1234	JOB NUMBER: 0 SCALE: NO SCALE	SHEET: 1 of 1 REV: 0		
	MODEL NO.:	REVISIONS								
	DWG NAME:	REV.	DESCRIPTION	DESIGNED BY:	CHECKED BY:				APPROVED BY:	DATE:
	DRAWING NUMBER:									
	JOB NUMBER:									
SCALE: NO SCALE	SHEET: 1 of 1	REV: 0								

## CTD-M4410T-4 125HP Motor

Performance Graph at 460V, 60Hz, 125.0HP (Typical performance - Not guaranteed values)



### Performance Data at 460V, 60Hz, 125.0HP (Typical performance - Not guaranteed values)

General Characteristics							
Full Load Torque:	368.0 LB-FT			Start Configuration:	DOL		
No-Load Current:	39.8 Amps			Break-Down Torque:	1111.0 LB-FT		
Line-line Res. @ 25°C.:	0.0355 Ohms A Ph / 0.0 Ohms B Ph			Pull-Up Torque:	389.0 LB-FT		
Temp. Rise @ Rated Load:	69°C			Locked-Rotor Torque:	470.0 LB-FT		
Temp. Rise @ S.F. Load:	93°C			Starting Current:	920.0 Amps		
Load Characteristics							
% of Rated Load:	25	50	75	100	125	150	S.F.
Power Factor:	62.0	80.0	86.0	88.0	87.0	87.0	87.0
Efficiency:	91.2	94.3	94.9	94.7	94.2	93.5	94.4
Speed:	1796.0	1792.0	1788.0	1783.0	1778.0	1772.0	1780.0
Line Amperes:	52.1	77.3	107.8	141.1	177.6	216.1	163.0



PROJECT NAME AND LOCATION:  
MODEL NO.:  
DWG NAME:  
DRAWING NUMBER: **A-100** JOB NUMBER: SHEET **1** OF **1** REV: **0**  
SCALE: **NO SCALE** COMMENTS:

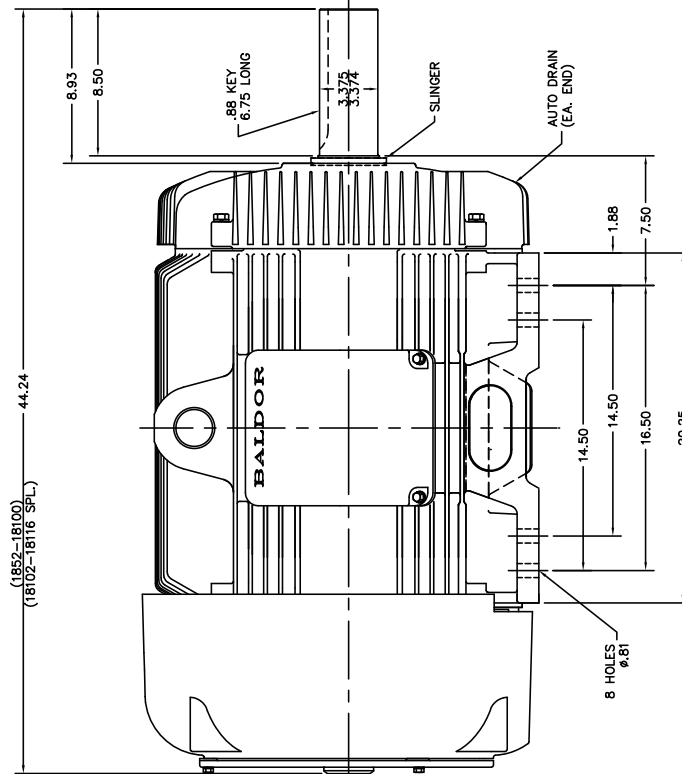
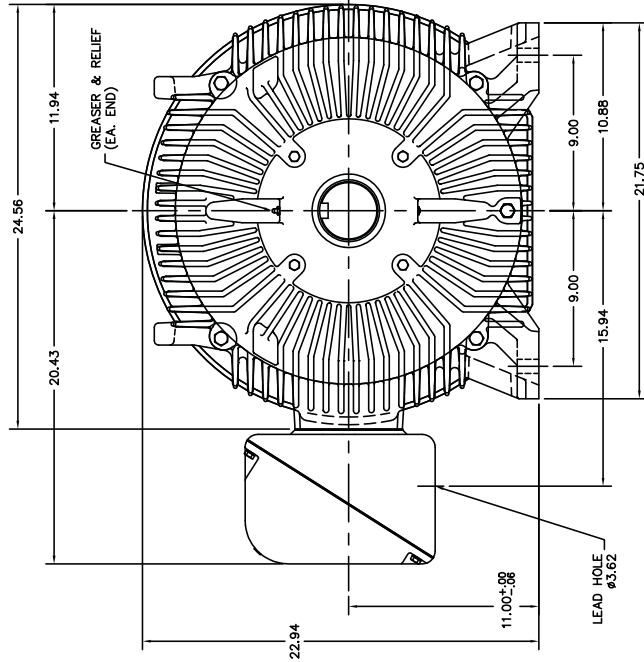
THIS DRAWING IS THE SOLE PROPERTY OF COOLING TOWER DEPOT INC. USE SHALL BE LIMITED TO THE PROJECT FOR WHICH IT IS INTENDED, NO REPRODUCTION SHALL BE MADE NOR SHALL THIS INFORMATION BE MADE AVAILABLE TO THIRD PARTIES WITHOUT THE PRIOR WRITTEN CONSENT BY COOLING TOWER DEPOT INC. ANY AND ALL PROPRIETARY RIGHTS TO THIS INFORMATION AND DESIGN ARE THE SOLE PROPERTY OF COOLING TOWER DEPOT INC.

REV.	DESCRIPTION	DESIGNED BY:	CHECKED BY:	APPROVED BY:	DATE:
0					
1					
2					
3					
4					

COOLING TOWER DEPOT, INC  
CORPORATE CIRCLE  
GOLDEN, CO 80401  
720-746-1234

JOB NUMBER: NO SCALE  
SCALE: NO SCALE  
REV: 0  
SHEET: 1 OF 1  
DRAWING NUMBER: A-100

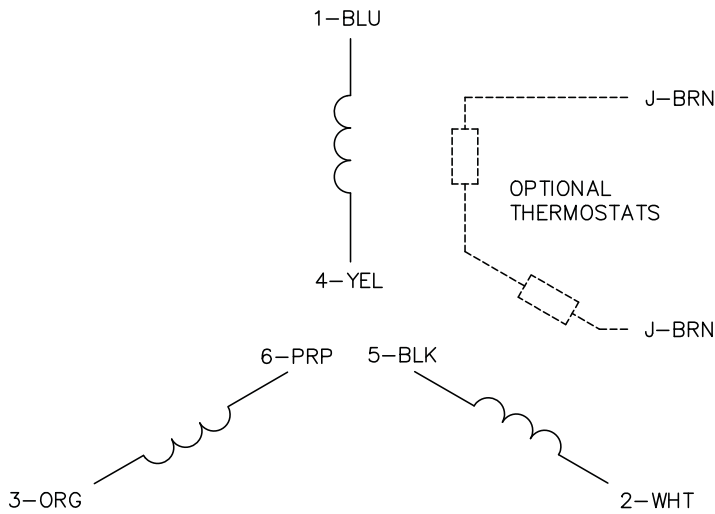
## CTD-M4410T-4 125HP Motor



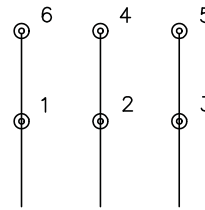
PROJECT NAME AND LOCATION:			
MODEL NO.:			
DWG NAME:			
DRAWING NUMBER:	JOB NUMBER:	SHEET	REV:
A-100		1 of 1	0
SCALE:	COMMENTS:		
NO SCALE			

THIS DRAWING IS THE SOLE PROPERTY OF COOLING TOWER DEPOT INC. USE SHALL BE LIMITED TO THE PROJECT FOR WHICH IT IS INTENDED, NO REPRODUCTION SHALL BE MADE NOR SHALL THIS INFORMATION BE MADE AVAILABLE TO THIRD PARTIES WITHOUT THE PRIOR WRITTEN CONSENT BY COOLING TOWER DEPOT INC. ANY AND ALL PROPRIETARY RIGHTS TO THIS INFORMATION AND DESIGN ARE THE SOLE PROPERTY OF COOLING TOWER DEPOT INC.			
REVISONS			
REV.	DESCRIPTION	DESIGNED BY:	CHECKED BY:
0			
1			
2			
3			
4			
		APPROVED BY:	DATE:
COOLING TOWER DEPOT, INC CORPORATE CIRCLE GOLDEN, CO 80401 720-746-1234			

REV:	0
SHEET:	1 of 1
JOB NUMBER:	
SCALE:	NO SCALE
DWG NUMBER:	A-100

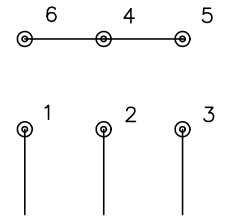


RUN CONNECTION  
(1D)



LINE

START CONNECTION  
(1Y)



LINE

NOTES:

1. INTERCHANGE ANY TWO LINE LEADS TO REVERSE ROTATION.
2. OPTIONAL THERMOSTATS ARE PROVIDED WHEN SPECIFIED.
3. ACTUAL NUMBER OF INTERNAL PARALLEL CIRCUITS MAY BE A MULTIPLE OF THOSE SHOWN ABOVE.
4. LEAD COLORS ARE OPTIONAL. LEADS MUST ALWAYS BE NUMBERED AS SHOWN.
5. FOR ACROSS-THE-LINE STARTING, USE 'RUN' CONNECTION.

	PROJECT NAME AND LOCATION:	THIS DRAWING IS THE SOLE PROPERTY OF COOLING TOWER DEPOT INC. USE SHALL BE LIMITED TO THE PROJECT FOR WHICH IT IS INTENDED. NO REPRODUCTION SHALL BE MADE NOR SHALL THIS INFORMATION BE MADE AVAILABLE TO THIRD PARTIES WITHOUT THE PRIOR WRITTEN CONSENT BY COOLING TOWER DEPOT INC. ANY AND ALL PROPRIETARY RIGHTS TO THIS INFORMATION AND DESIGN ARE THE SOLE PROPERTY OF COOLING TOWER DEPOT INC.				COOLING TOWER DEPOT, INC CORPORATE CIRCLE GOLDEN, CO 80401 720-746-1234	REV. 0	NO SCALE	NO SCALE	NO SCALE	NO SCALE	
	MODEL NO.:	REVISIONS					COOLING TOWER DEPOT, INC CORPORATE CIRCLE GOLDEN, CO 80401 720-746-1234	1	1	1	1	1
	DWG NAME:	REV. 0	DESIGNER BY:	CHECKED BY:	APPROVED BY:			DATE:	1	1	1	1
	DRAWING NUMBER: A-100	JOB NUMBER:	SHEET 1 of 1	REV: 0	1			2	3	4	1	1
SCALE: NO SCALE	COMMENTS:	1	2	3	4	1		1	1	1		