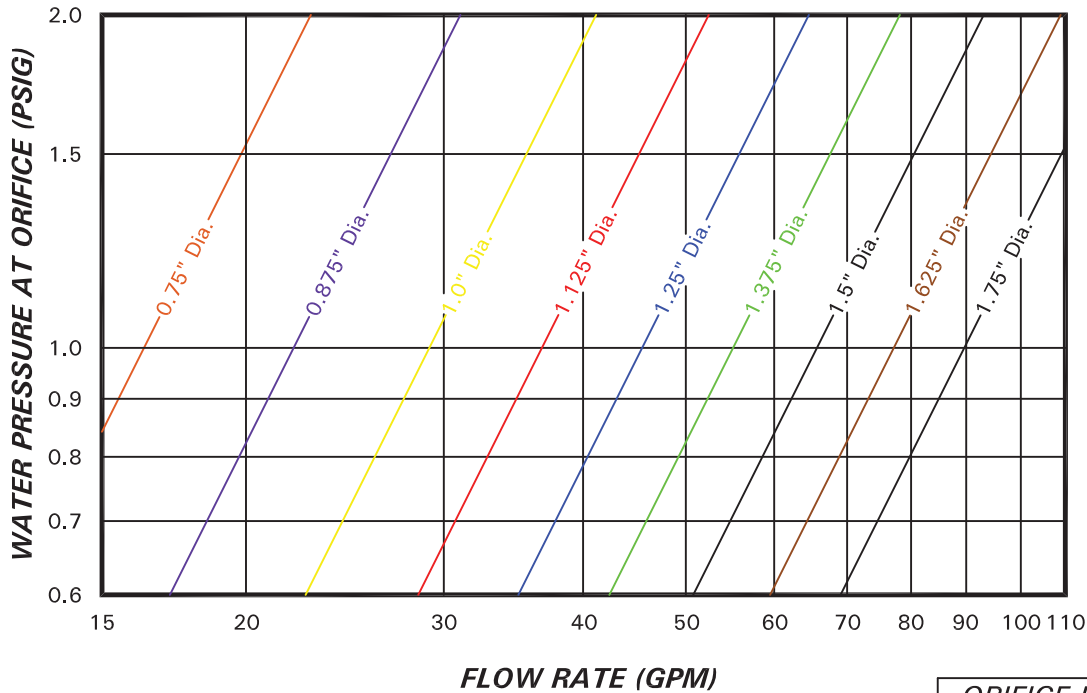
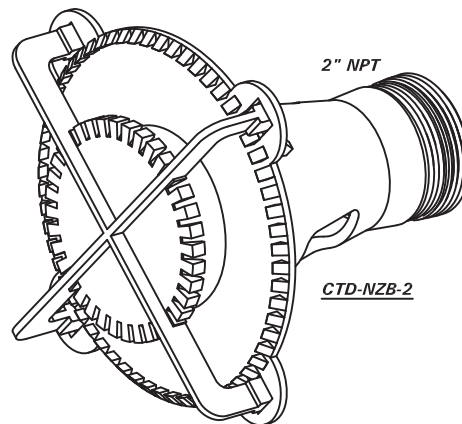
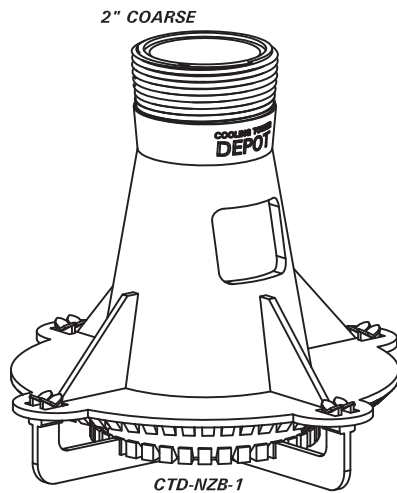


## CTD Generic Nozzle

### GENERIC NOZZLE FLOW RATE CURVES



ORIFICE LEGEND	
DIAMETER	COLOR
3/4"Ø	ORANGE
7/8"Ø	PURPLE
1"Ø	YELLOW
1 1/8"Ø	RED
1 1/4"Ø	BLUE
1 3/8"Ø	GREEN
1 1/2"Ø	BLACK
1 5/8"Ø	BROWN
1 3/4"Ø	BODY



GENERIC NOZZLE



PROJECT NAME AND LOCATION:			
MODEL NO.:			
DWG NAME:			
DRAWING NUMBER:	JOB NUMBER:	SHEET	REV:
A-100		1 of 1	0
SCALE: NO SCALE		COMMENTS:	

THIS DRAWING IS THE SOLE PROPERTY OF COOLING TOWER DEPOT INC. USE SHALL BE LIMITED TO THE PROJECT FOR WHICH IT IS INTENDED. NO REPRODUCTION SHALL BE MADE NOR SHALL THIS INFORMATION BE MADE AVAILABLE TO THIRD PARTIES WITHOUT THE PRIOR WRITTEN CONSENT BY COOLING TOWER DEPOT INC. ANY AND ALL PROPRIETARY RIGHTS TO THIS INFORMATION AND DESIGN ARE THE SOLE PROPERTY OF COOLING TOWER DEPOT INC.				
REVISIONS				
REV.	DESCRIPTION	DESIGNED BY:	CHECKED BY:	APPROVED BY:
0				
1				
2				
3				
4				

COOLING TOWER DEPOT, INC	
CORPORATE CIRCLE	
GOLDEN, CO 80401	
720-746-1234	

JOB NUMBER:	0
SCALE:	NO SCALE
SHEET	1 of 1
DWG NO.	A-100